

NeoPower 60W Waterproof LED Driver



Product Features

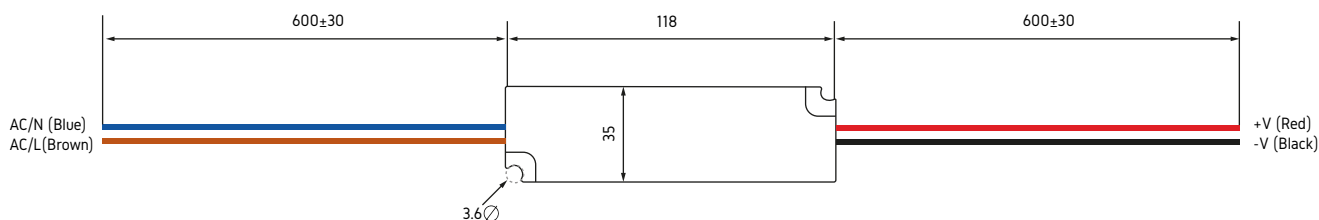
- Constant Voltage Design
- Universal AC input / full range
- Withstand 300AC surge input for 5 seconds
- Protections: Short circuit/Over load Over voltage
- Cooling by free air convection
- Compact design
- Fully encapsulated with IP67
- Isolated plastic casing
- Class II power unit, no FG
- LPS Certified
- Suitable for LED fixtures
- 100% full load burn-in test
- 2 year warranty

Introducing NeoPower

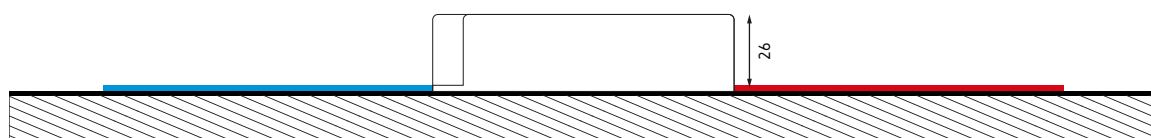
Our innovative NeoPower range of LED drivers has been completely retooled to maximise the efficiency of the transformer. These are highly toughened devices, featuring upgraded waterproofness and excellent ingress protection. Thanks to a finely tuned, the heat sink is capable of dissipating more heat than ever, extending the life of the device.



Technical Dimensions



Recommended Mounting Direction



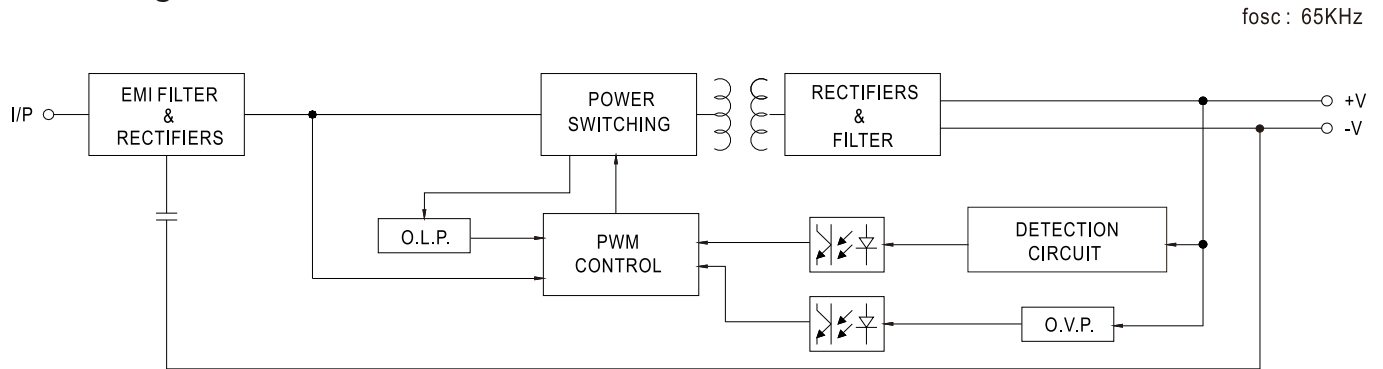
NeoPower 60W Waterproof LED Driver

Technical Specifications

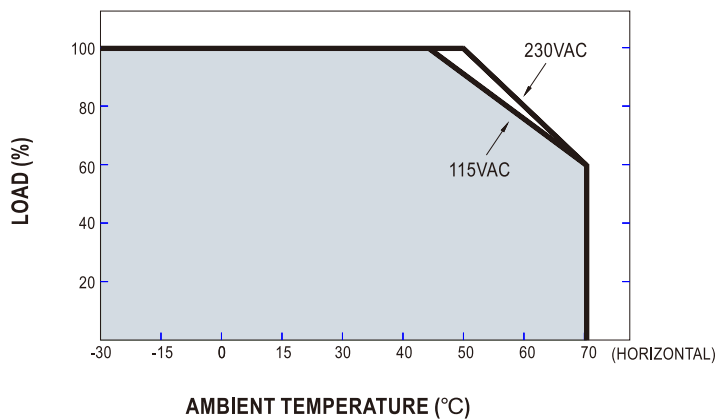
MODEL		NeoPower 60W Waterproof LED Driver
OUTPUT	DC VOLTAGE	12V
	RATED CURRENT	5A
	CURRENT RANGE	0 ~ 5A
	RATED POWER	60W
	RIPPLE & NOISE (max.) Note.2	120mVp-p
	VOLTAGE TOLERANCE Note.3	±5.0%
	LINE REGULATION	±1.0%
	LOAD REGULATION	±2.0%
	SETUP, RISE TIME Note.6	500ms, 20ms / 230VAC 500ms, 20ms / 115VAC at full load(for 5~36V) ; 500ms, 30ms / 230VAC 500ms, 30ms / 115VAC at full load(for 48V)
HOLD UP TIME (Typ.)	50ms/230VAC 16ms/115VAC at full load	
INPUT	VOLTAGE RANGE Note.4	27 ~ 370VDC
	FREQUENCY RANGE	47 ~ 63Hz
	EFFICIENCY (Typ.)	83%
	AC CURRENT (Typ.)	1.2A/115VAC 1A/230VAC
	INRUSH CURRENT(Typ.)	COLD START 60A(twidth=525µs measured at 50% Ipeak) at 230VAC
	MAX. No. of PSUs on 16A CIRCUIT BREAKER	3 units (circuit breaker of type B) / 6 units (circuit breaker of type C) at 230VAC
	LEAKAGE CURRENT	0.25mA / 240VAC
PROTECTION	OVER LOAD	110 ~ 150% rated output power Protection type : Hiccup mode, recovers automatically after fault condition is removed
	OVER VOLTAGE	13.8 ~ 16.2V Protection type : Shut down o/p voltage, re-power on to recover
ENVIRONMENT	WORKING TEMP.	-30 ~ +70°C (Refer to "Derating Curve")
	WORKING HUMIDITY	20 ~ 90% RH non-condensing
	STORAGE TEMP., HUMIDITY	-40 ~ +80°C, 10 ~ 95% RH
	TEMP. COEFFICIENT	±0.03%/°C (0 ~ 50°C)
SAFETY & EMC	VIBRATION	10 ~ 500Hz, 2G 10min./1cycle, period for 60min. each along X, Y, Z axes
	SAFETY STANDARDS	UL879(except for LPV-60-5), UL1310(except for LPV-60-5), CSA C22.2 No. 207-M89(except for LPV-60-5, LPV-60-48), CAN/CSA C22.2 No. 223-M91(except for LPV-60-5, LPV-60-48), BIS IS15885(for LPV-60-12, LPV-60-24 only), EAC TP TC 004, IP67, IEC/EN 62368-1 approved
	WITHSTAND VOLTAGE	I/P-O/P:3KVAC
	ISOLATION RESISTANCE	I/P-O/P:>100M Ohms / 500VDC / 25°C/ 70% RH
	EMC EMISSION	Compliance to EN55032 (CISPR32) Class B, EN61000-3-2 Class A, EN61000-3-3, EAC TP TC 020
OTHERS	EMC IMMUNITY	Compliance to EN61000-4-2,3,4,5,6,8,11, EN55024, light industry level, criteria A, EAC TP TC 020
	MTBF	732Khrs min. MIL-HDBK-217F (25°C)
	DIMENSION	162.5*42.5*32mm (L*W*H)
NOTE	PACKING	0.4Kg; 32pcs/13.8Kg/0.63CUFT
	<p>1. All parameters NOT specially mentioned are measured at 230VAC input, rated load and 25°C of ambient temperature.</p> <p>2. Ripple & noise are measured at 20MHz of bandwidth by using a 12" twisted pair-wire terminated with a 0.1uf & 47uf parallel capacitor.</p> <p>3. Tolerance : includes set up tolerance, line regulation and load regulation.</p> <p>4. Derating may be needed under low input voltage. Please check the static characteristics for more details.</p> <p>5. The power supply is considered as a component that will be operated in combination with final equipment. Since EMC performance will be affected by the complete installation, the final equipment manufacturers must re-qualify EMC Directive on the complete installation again.</p> <p>6. Length of set up time is measured at first cold start. Turning ON/OFF the power supply may lead to increase of the set up time.</p> <p>7. Suitable for indoor use or outdoor use without direct sunlight exposure. Please avoid immerse in the water over 30 minute.</p> <p>8. The ambient temperature derating of 3.5°C/1000m with fanless models and of 5°C/1000m with fan models for operating altitude higher than 2000m(6500ft).</p> <p>9. Products sourced from the Americas regions may not have the TUV/BIS/CCC logo. Please contact your MEAN WELL sales for more information.</p> <p>10. For any application note and IP water proof function installation caution, please refer our user manual before using. https://www.meanwell.com/Upload/PDF/LED_EN.pdf</p> <p>11. This product is not intended for LED applications in the EU.(In the EU NPF/LPF/XLG series are recommended.)</p> <p>12. To fulfill requirements of latest ERP regulation for lighting luminaires, this LED Driver can only be used behind a switch without permanently connected to mains.</p>	

NeoPower 60W Waterproof LED Driver

Block Diagram



Derating Curve



Static Characteristics

