

100W DALI Dimmable Driver 12v/24v



Product Features

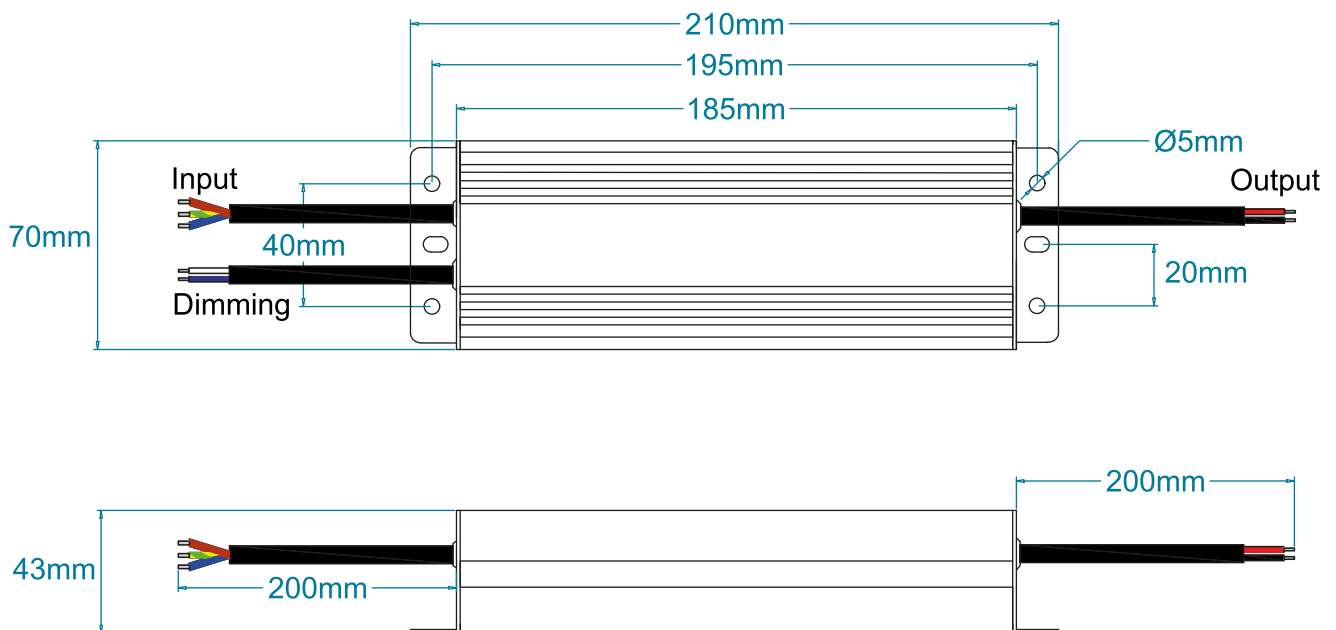
- Constant voltage/ PWM Output
- DALI & Push dimming function
- AC input: 100-265VAC
- Built-in active PFC function
- Efficiency up to 84%
- Protections: Short circuit/ Over load/ Over temperature
- Cooling by free air convection
- IP20 design for indoor installation.
- Suitable for intelligent LED lighting
- 3 Year Warranty

CE   SELV IP66

Product Description

If you're looking for something that will power your 1-10V dimming systems, then you've come to the right place – Mean Well's 25W 1-10V Constant Voltage LED Driver is well up to the task.

Technical Dimensions



100W DALI Dimmable Driver 12v/24v

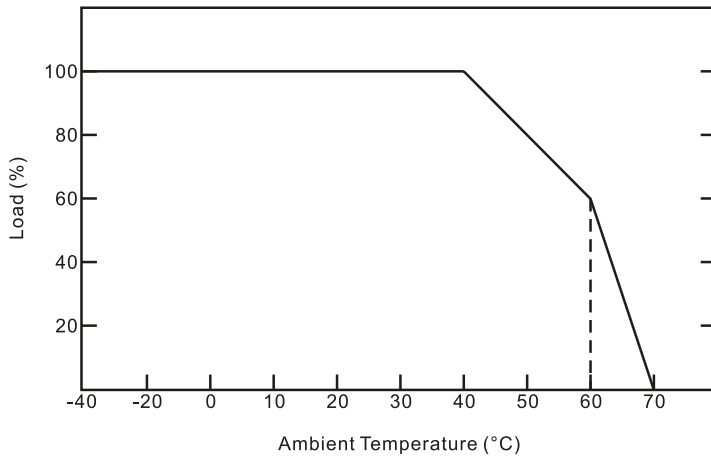
Technical Specifications

Output Specifications		
Output Voltage	12V	24V
Voltage Tolerance	± 0.5%	
Output Current	8.34A	4.17A
Rated Power	100W	
Load Regulation	± 2%	
Input Specifications		
Input Voltage	200-240VAC	
Frequency Range	47-63Hz	
Inrush Current	59A (Twidth=210µs 230VAC)	
Full Load Efficiency (Typ.)	87%	86.4%
AC Current (Max.)	0.8A	
Leakage Current	<0.50mA	
Power Factor	PF>0.99/230VAC (Full Loading)	
Protection		
Short Circuit	Constant current mode, recovers automatically after fault condition is removed	
Over Loading	≤120% constant current limiting, recovers automatically after fault condition is removed	
Over Temperature	100°C± 10°C	
Protection Class	I	
Environment		
Working Temperature	-40~+60°C (Refer to derating curve)	
Working Humidity	20-95% RH, non-condensing	
Safety & EMC		
Storage Temperature, Humidity	-40~+80°C, 10-95% RH	
Temperature Coefficient	±0.03%/°C (0-50°C)	
Vibration	10-500Hz, 5G 10min./ 1 cycle, period for 60min.each along X, Y, Z axes	
Safety standards	EN61347-1, EN61347-2-13, EN62493, IP66	
Withstand voltage	I/P-O/P:3.75KVAC I/P-FG:1.88KVAC O/P-FG:0.5KVAC	
Isolation resistance	I/P-O/P I/P-FG O/P-FG: 100MΩ/500VDC/25°C/70%RH	
EMC Emission	Compliance to EN55015, EN61000-3-2, EN61000-3-3 (≥60% load)	
EMC Immunity	Compliance to EN61000-4-2,3,4,5,6,11, EN61547	
Other Specifications		
Weight	1.05 Kg	
Size	210 x 70 x 43 mm	
Packing	340 x 275 x 170 mm (10PCS/CTN, 11.5 Kg/CTN))	
Mechanical Specifications		

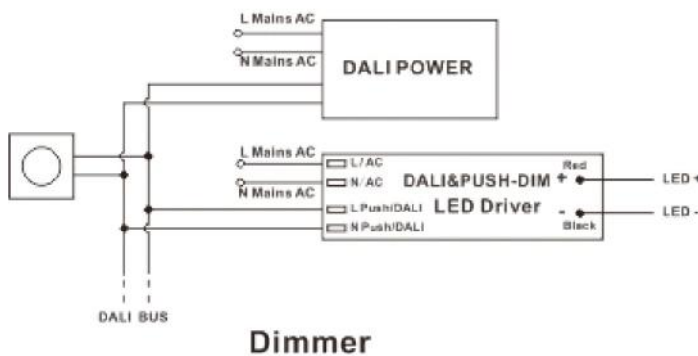
MIRRORSTONE

100W DALI Dimmable Driver 12v/24v

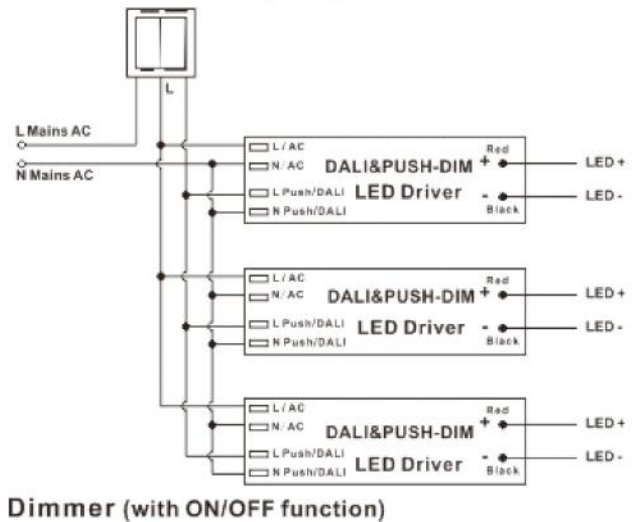
Output Load vs Temperature



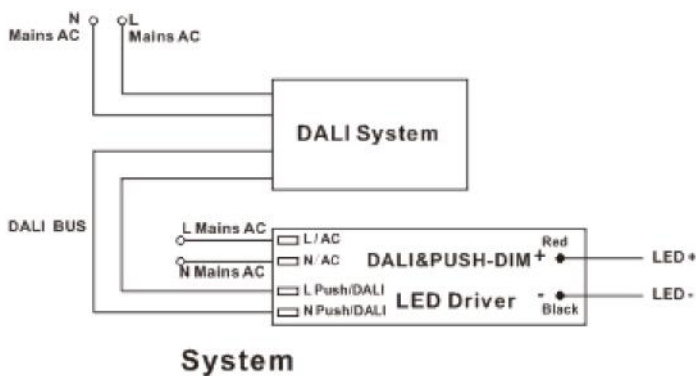
DALI Dimming Wiring Diagram 1



Push-Dimming Wiring Diagram 1



DALI Dimming Wiring Diagram 2



Push-Dimming Wiring Diagram 2

