

100W Dimmable LED Driver 0-10v



Product Features

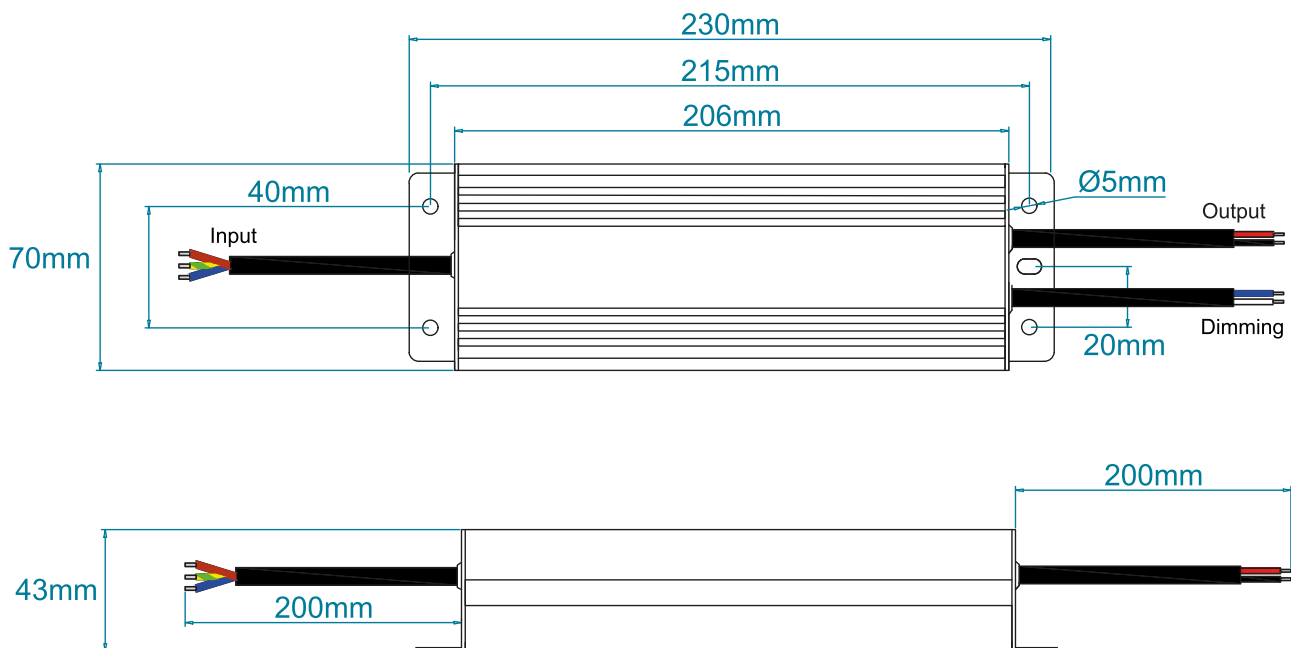
- Constant Voltage Design
- 0-10V Dimmable
- Protections: Short circuit/ Over Voltage/ Overload
- Universal AC input/ Full range
- IP66 design for indoor or outdoor installations
- Built-in PFC function
- Cooling by free air convection
- Over 83% efficiency
- 3 years warranty



Product Description

If you're looking for something that will power your 1-10V dimming systems, then you've come to the right place – Mean Well's 25W 1-10V Constant Voltage LED Driver is well up to the task.

Technical Dimensions



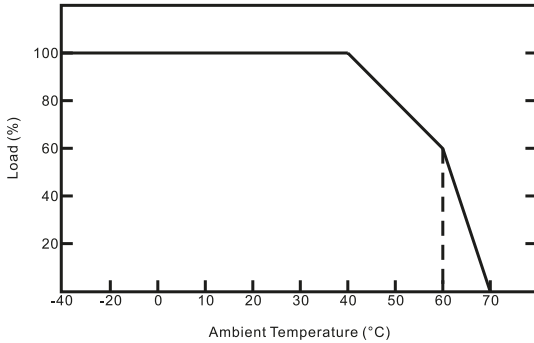
100W Dimmable LED Driver 0-10v

Technical Specifications

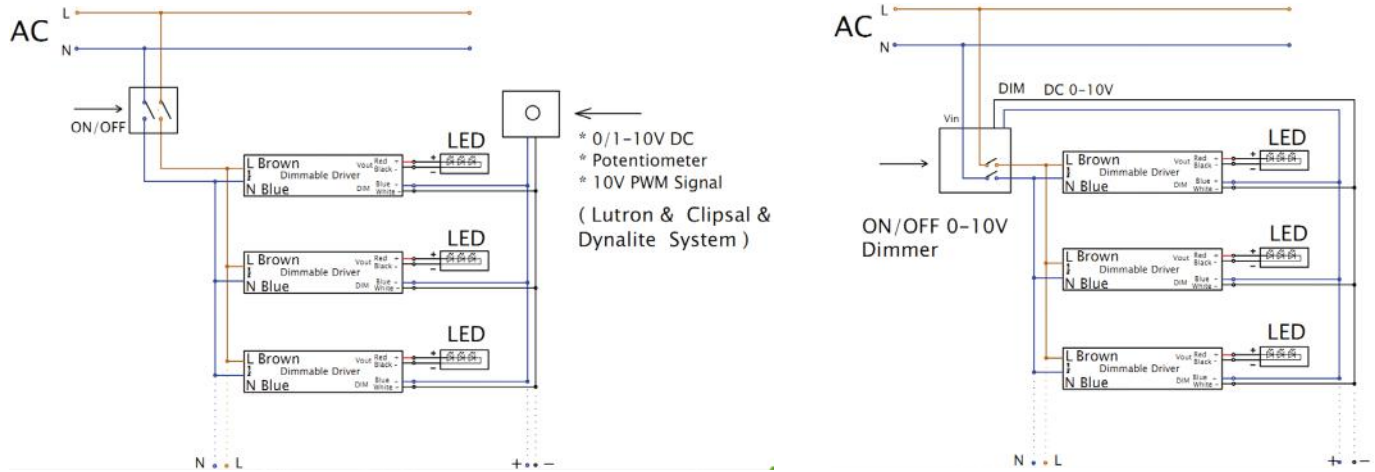
Output Specifications		
Output Voltage	12V	24V
Voltage Tolerance	± 0.5%	
Output Current	8.34A	4.17A
Rated Power	100W	
Input Specifications		
Input Voltage	200-240VAC	
Frequency Range	47-63Hz	
Inrush Current	45.2A (Twidth=520µs 230VAC)	
Full Load Efficiency (Typ.)	83%	86%
AC Current (Max.)	0.8A	
Leakage Current	<0.50mA	
Power Factor	PF>0.98/230VAC (Full Loading)	
Protection		
Short Circuit	Hicup mode, recovers automatically after fault condition is removed	
Over Loading	≤120%	
Over Current	≤1.2*I _{out}	
Over Temperature	100°C±10°C, Shut down o/p voltage, recovers automatically after temp. goes down.	
Environment		
Working Temperature	-40~+60°C (Refer to derating curve)	
Working Humidity	20-95% RH, non-condensing	
Storage Temperature, Humidity	-40~+80°C, 10-95% RH	
Temperature Coefficient	±0.03%/°C (0-50°C)	
Vibration	10-500Hz 5G 12min./ 1 cycle, period for 72min. each along X, Y, Z axes	
Safety & EMC		
Safety standards	EN61347-1, EN61347-2-13	
Withstand voltage	I/P-O/P:3.75KVAC I/P-FG:1.88KVAC O/P-FG:0.5KVAC	
Isolation resistance	I/P-O/P I/P-FG O/P-FG:100MΩ/500VDC/25°C/70%RH	
EMC Emission	Compliance to EN55015,EN61000-3-2 (≥60%load)	
EMC Immunity	EN61000-4-2,3,4,5,6,11, EN61547, light industry Level (surge 4KV) Criteria A	
Other Specifications		
Weight	1.05 Kg	
Size	230 x 70 x 43 mm	

100W Dimmable LED Driver 0-10v

Derating Curve



Wiring Diagram



Dimming Operation

※Reference resistance value: (Typical)

Resistance value	Single driver	0Ω	10KΩ	20KΩ	30KΩ	40KΩ	50KΩ	60KΩ	70KΩ	80KΩ	90KΩ	100KΩ	OPEN
	Multiple drivers	0Ω/N	10KΩ/N	20KΩ/N	30KΩ/N	40KΩ/N	50KΩ/N	60KΩ/N	70KΩ/N	80KΩ/N	90KΩ/N	100KΩ/N	—
Percentage of luminous		0%	10%	20%	30%	40%	50%	60%	70%	80%	90%	100%	100%

※1-10/0-10V dimmable function :(Typical)

Dimming value	0V	1V	2V	3V	4V	5V	6V	7V	8V	9V	10V	OPEN
Percentage of luminous	0%	10%	20%	30%	40%	50%	60%	70%	80%	90%	100%	100%

※10V PWM signal: (Typical): Frequency range:100Hz-3KHZ

Duty value	0%	10%	20%	30%	40%	50%	60%	70%	80%	90%	100%	OPEN
Percentage of luminous	0%	10%	20%	30%	40%	50%	60%	70%	80%	90%	100%	100%