

50W DALI Dimmable LED Driver



Product Features

- Constant voltage/ PWM Output
- DALI & Push dimming function
- AC input: 100-265VAC
- Built-in active PFC function
- Efficiency up to 84%
- Protections: Short circuit/ Over load/ Over temperature
- Cooling by free air convection
- IP20 design for indoor installation.
- Suitable for intelligent LED lighting
- 3 Year Warranty



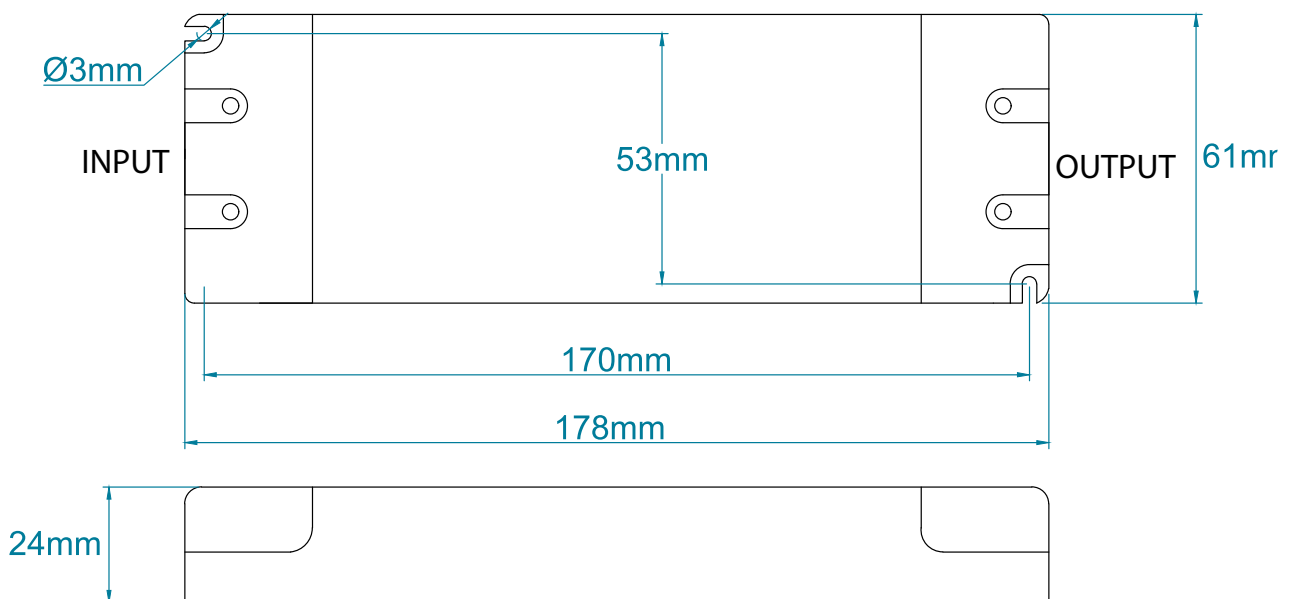



 SELV IP20

Product Description

If you're looking for something that will power your 1-10V dimming systems, then you've come to the right place – Mean Well's 25W 1-10V Constant Voltage LED Driver is well up to the task.

Technical Dimensions



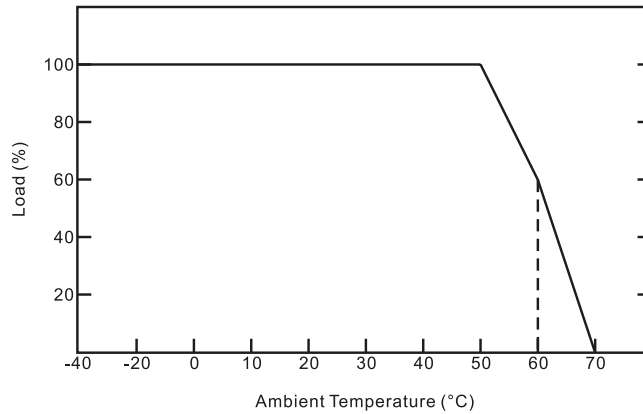
50W DALI Dimmable LED Driver

Technical Specifications

| Output Specifications | | |
|-------------------------------|--|-------|
| Output Voltage | 12V | 24V |
| Voltage Tolerance | ± 0.5% | |
| Output Current | 4.16A | 2.08A |
| Rated Power | 50W | |
| Load Regulation | ± 2% | |
| Input Specifications | | |
| Input Voltage | 100-265VAC | |
| Frequency Range | 47-63Hz | |
| Inrush Current | 13A (Twidth=48µs 230VAC) | |
| Full Load Efficiency (Typ.) | 81% | 84% |
| AC Current (Max.) | 0.64A | 0.62A |
| Leakage Current | <0.50mA | |
| Power Factor | PF>0.95/230VAC (Full Loading) | |
| Protection | | |
| Short Circuit | Constant current mode, recovers automatically after fault condition is removed | |
| Over Loading | ≤120% constant current limiting, recovers automatically after fault condition is removed | |
| Over Temperature | 100°C± 10°C | |
| Protection Class | II | |
| Environment | | |
| Working Temperature | -40~+60°C (Refer to derating curve) | |
| Working Humidity | 20-95% RH, non-condensing | |
| Safety & EMC | | |
| Storage Temperature, Humidity | -40~+80°C, 10-95% RH | |
| Temperature Coefficient | ±0.03%/°C (0-50°C) | |
| Vibration | 10-500Hz, 5G 10min./ 1 cycle, period for 60min.each along X, Y, Z axes | |
| Safety & EMC | | |
| Safety standards | EN61347-1, EN61347-2-13, EN62493, IP20 | |
| Withstand voltage | I/P-O/P:3.75KVAC | |
| Isolation resistance | I/P-O/P:100MΩ/500VDC/25°C/70%RH | |
| EMC Emission | Compliance to EN55015, EN61000-3-2, EN61000-3-3 (≥60% load) | |
| EMC Immunity | Compliance to EN61000-4-2,3,4,5,6,11, EN61547 | |
| Other Specifications | | |
| Weight | 0.36 Kg | |
| Size | 178 x 61 x 24 mm | |

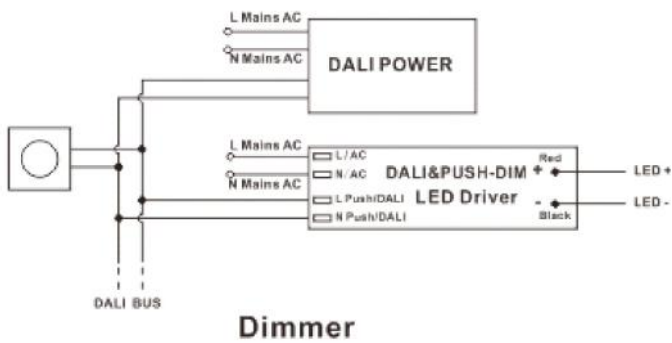
50W DALI Dimmable LED Driver

Derating Curve

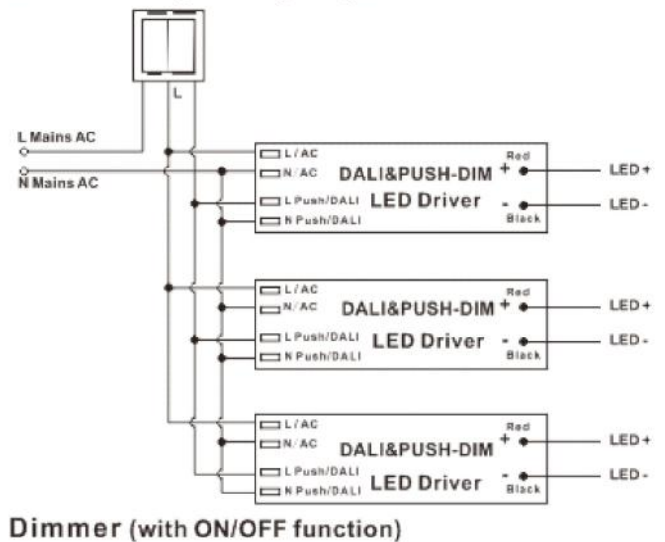


Wiring Diagram

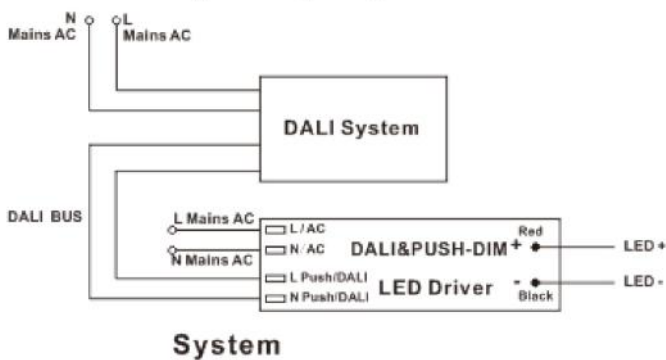
DALI Dimming Wiring Diagram1



Push-Dimming Wiring Diagram 1



DALI Dimming Wiring Diagram2



Push-Dimming Wiring Diagram2

