

# **MIRRORSTONE**

L I G H T I N G   S P E C I A L I S T

## **Easilight 2.4G Sunrise Remote**

MS-EZI-S1

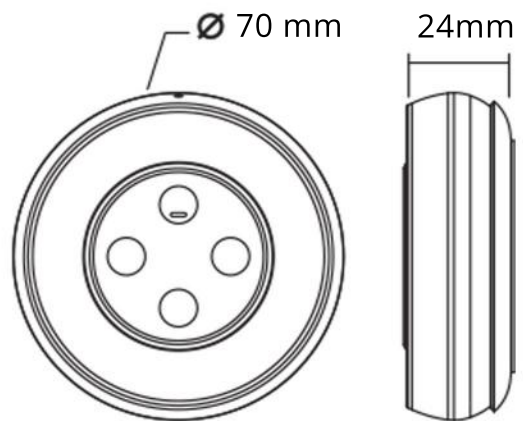
# 1. Product Features

This remote uses 2.4GHz frequency and a GFSK to ensure a seamless experience with low power consumption, long transmission distances, strong anti-interference potential and a faster communication rate.

It will allow you to control selected EasiLight smart lights by adjusting their colour temperature and brightness.

# 2. Product Specifications

**Model No:** MS-EZI-S1  
**Working Voltage:** 3V (2\*AAA battery)  
**Transmitting Power:** 6dBm  
**Standby Power:** 20uA  
**RF:** 2.4GHz  
**Modulation Method:** GFSK  
**Control Distance:** 30m



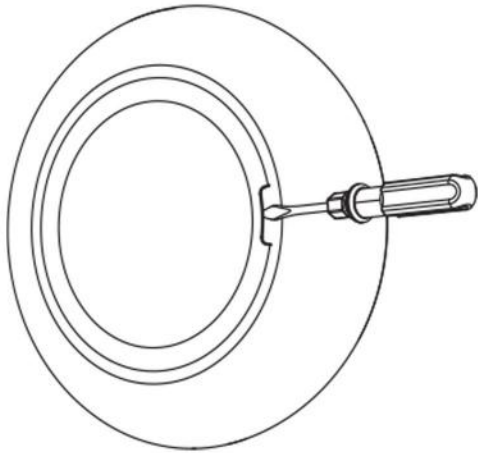
# 2. Button Diagram



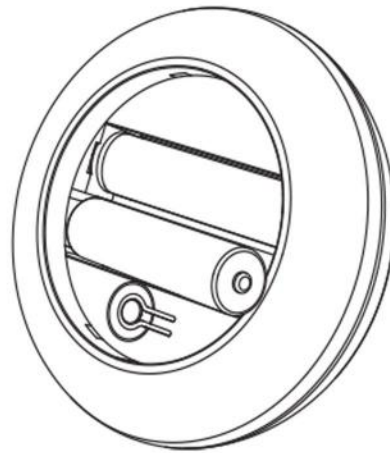
**Touch ring:** Adjusts both colour temperature and brightness. Use the DIM or CCT button to select which one you're adjusting. By default, if the remote is not operated for 3 seconds, it will switch back to brightness mode.

## 4. Battery Installation

**Note:** This remote requires 2 AAA batteries, which are sold separately.




1. Open battery cover behind remote.




2. Install the battery correctly and close the battery cover.

## 5. Functions

### To Adjust The Colour Temperature

Press the **CCT** key once, then tap the touch  ring.

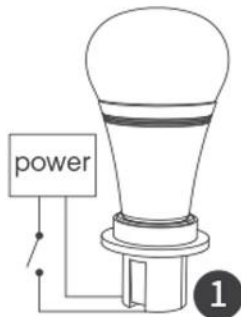
### To Adjust The Brightness

Press the **DIM** key once, then tap the touch  to adjust brightness.

# 6. Linking/Unlinking Instructions

Once you've linked some lights to this remote, you'll be able to control them.

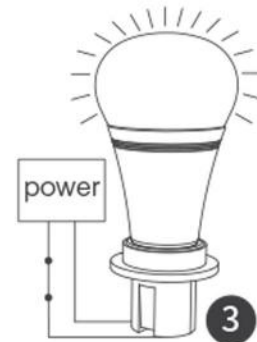
## Linking Instructions



Switch off the light you want to link. Wait 10 seconds, then switch it on again.



Short press the ON button 3 times within 3 seconds.



The lights will blink 3 times slowly, indicating your linking was successful.



If the light doesn't blink slowly, the linking has failed. Follow the above steps again.

**Note:** Lights that have linked can't link again.

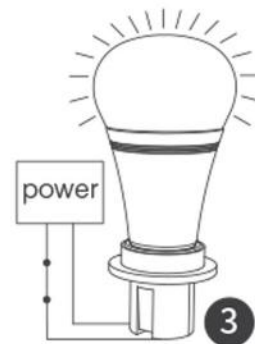
## Unlinking Instructions



Switch off the light you want to link. Wait 10 seconds, then switch it on again.



Short press the ON button 5 times within 3 seconds.



The lights will blink 10 times quickly, indicating your unlinking was successful.



If the light doesn't blink quickly, the unlinking has failed. Follow the above steps again.

**Note:** Lights that haven't been linked don't need to be unlinked.

## 7. Attention

1. If the indicator light starts flashing quickly, please replace the battery.
2. Do not use poor quality batteries in case of damage to the remote.
3. Do not use the remote in an area with lots of metal or strong electro-magnetic waves nearby, otherwise communication distance will be seriously affected.

**MIRRORSTONE**  
LIGHTING SPECIALIST

sales@mirrorstone.co.uk  
www.mirrorstonelighting.co.uk/  
86 Scudamore Road Leicester, LE3 1UQ  
+44 (0) 116 321 4121