

# MIRRORSTONE

LIGHTING SPECIALIST

## **Easilight 2.4G Rainbow Remote (RGB + CCT)**

MS-EZI-S2

# 1. Features

Using the very popular 2.4GHz frequency and a GFSK control method, this remote will let you control the colour, colour temperature, saturation and brightness of various Easilight smart lights.

The 2.4 GHz frequency ensures this remote uses less power while still enjoying long distance transmitting and strong anti-interference capacity, as well as a faster communication rate.

# 2. Product Parameters

Model No: MS-EZI-S2

Working Voltage: 3V( 2\*AAA batteries)

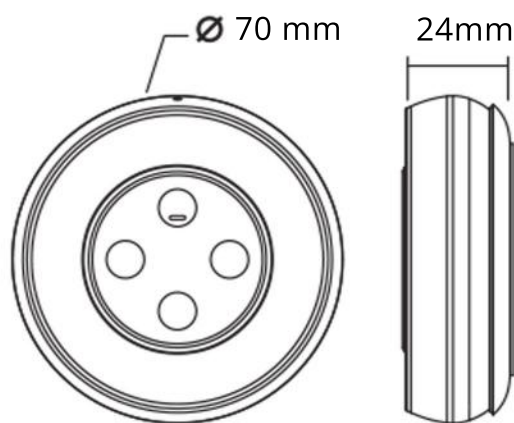
Transmitting Power: 6dBm

Standby Power: 20uA

RF: 2.4GHz

Modulation Method: GFSK

Control Distance: 30m



# 3. Button Diagram

Turn on lights /  
Dynamic mode  
Link/Unlink

Brightness/  
saturation

Touch ring



RGB colour temperature

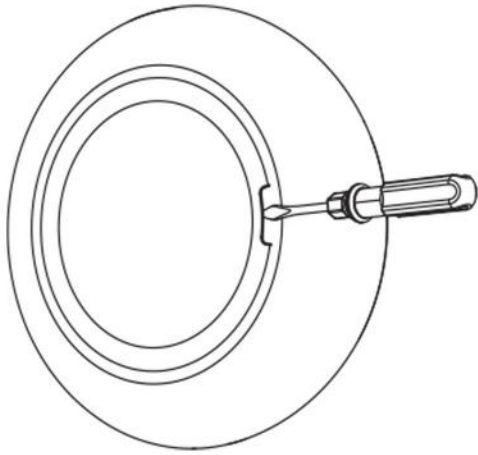
Turn off lights

**Touch Ring:** Increase or decrease the brightness, saturation, colour temperature or colour of your lights with this. Select a mode first, then adjust to your liking.

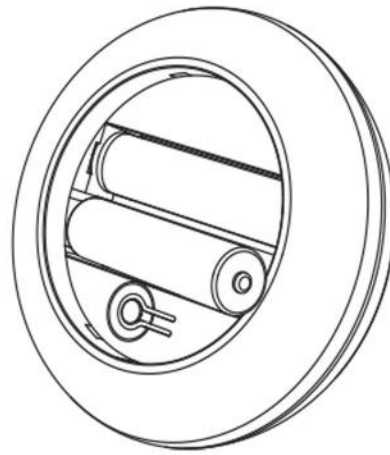
**Note:** The remote will adjust brightness by default, and return to this setting if not operated for 3 seconds.

## 4. Installing Batteries

**Note:** This remote requires 2 AAA batteries, which are sold separately.





1. Open battery cover behind remote.





2. Install the battery correctly and close the battery cover.

## 5. Functions

### To Adjust The Colour



Press the RGB  key twice in quick succession, then tap the touch ring  to adjust the colour to your liking.

### To Adjust Saturation



Press the brightness key  twice in quick succession, then tap the touch ring  to adjust the colour saturation of your lighting.

**Note:** This can only be done in RGB mode.

### To Adjust The Colour Temperature

Short press the RGB  key once, then tap the touch tap the touch ring  to adjust the colour temperature.

## To Adjust Brightness

Short press the brightness key  once, then tap the touch ring  to adjust brightness levels.

## To Switch To Dynamic Mode

Long press the ON key until the indicator light flashes twice, then short press the ON button to cycle through the options.

**Note:** If not touched for 3 seconds, the remote will exit out of this mode automatically.

# 6. Linking/Unlinking Instructions

Once you've linked some lights to this remote, you'll be able to control them.

## Linking Instructions

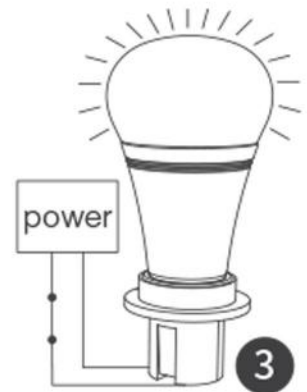


Switch off the light you want to link. Wait 10 seconds, then switch it on again.

Link/Unlink button



Short press the ON button 3 times within 3 seconds.



The lights will blink 3 times slowly, indicating your linking was successful.



If the light doesn't blink slowly, the linking has failed. Follow the above steps again.

**Note:** Lights that have linked can't link again.

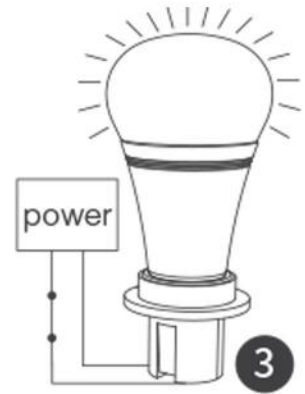
## Unlinking Instructions



Switch off the light you want to link. Wait 10 seconds, then switch it on again.



Short press the ON button 5 times within 3 seconds.



The lights will blink 10 times quickly, indicating your unlinking was successful.



If the light doesn't blink quickly, the unlinking has failed. Follow the above steps again.

**Note:** Lights that haven't been linked don't need to be unlinked.

## 7. Attention

1. If the indicator flashes quickly while in use, please replace the battery.
2. Do not use a poor quality battery to reduce risk of leakages that can damage your remote.
3. Do not use the remote in an area with a lot of metal or strong electromagnetic waves, as this will seriously affect the communication distance of your remote.

# MIRRORSTONE

LIGHTING SPECIALIST

[sales@mirrorstone.co.uk](mailto:sales@mirrorstone.co.uk)  
[www.mirrorstonelighting.co.uk/](http://www.mirrorstonelighting.co.uk/)  
86 Scudamore Road Leicester, LE3 1UQ  
+44 (0) 116 321 4121